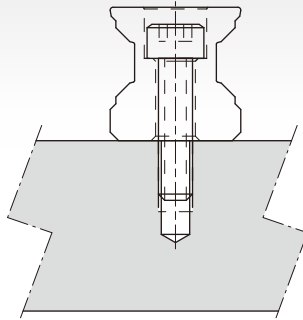


Rail Type

Counter Bore (R type)



Tapped Hole (T type)

