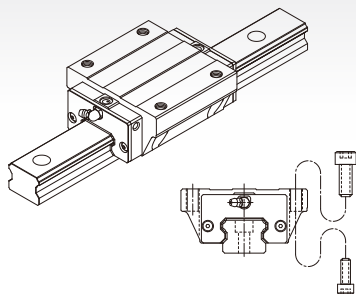


## Carriage Type

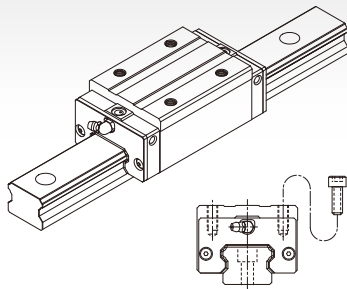
### Heavy Load

#### SME-EA Type



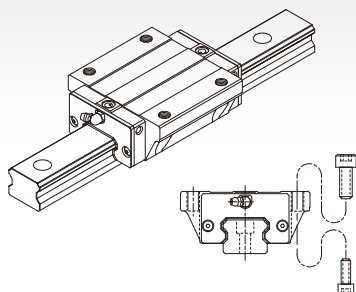
This type offers the installation either from top or bottom side of carriage.

#### SME-SA Type



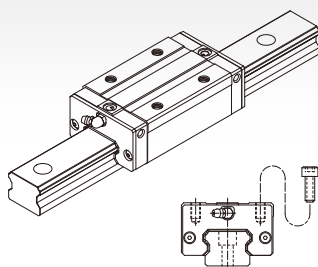
Square type with smaller width and can be installed from top side of carriage.

#### SME-EB Type



All dimensions are same as SME-EA except the mounting hole dimensions of carriage are different and the height is lower, which do not change the basic loading rating.

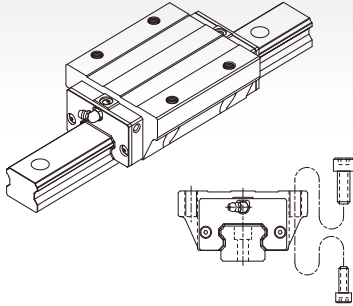
#### SME-SB / SME-SV Type



All dimensions are same as SME-SA except the mounting hole dimensions of carriage are different and the height is lower, which do not change the basic loading rating.

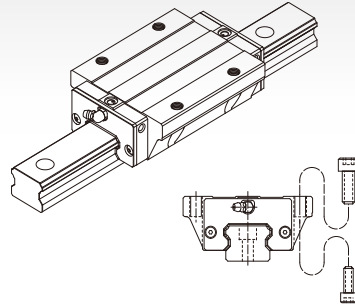
## Ultra Heavy Load

### SME-LEA Type



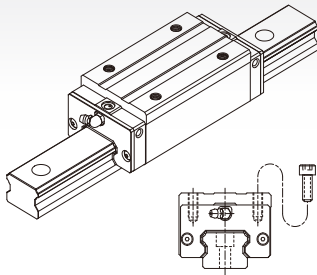
All dimensions are same as SME-EA except the length is longer, which makes it more rigid.

### SME-LEB Type



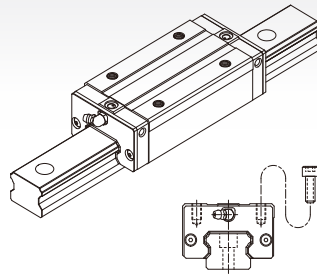
All dimensions are same as SME-EB except the length is longer, which makes it more rigid.

### SME-LSA Type



All dimensions are same as SME-SA except the length is longer, which makes it more rigid.

### SME-LSB / SME-LSV Type



All dimensions are same as SME-SB and SME-SV except the length is longer, which makes it more rigid.