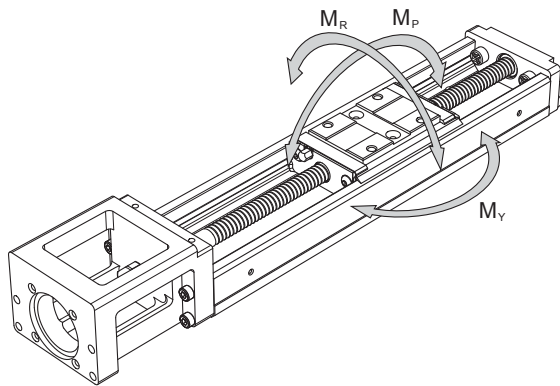


## Static Permissible Moments



Unit : N-m

Model		Static Permissible Moments											
		M <sub>P</sub>				M <sub>Y</sub>				M <sub>R</sub>			
		A	B	C	D	A	B	C	D	A	B	C	D
KM 20	KM 20 01	38.2	192.6	-	-	38.2	192.6	-	-	114.6	229.1	-	-
	KM 20 02												
KM 26	KM 26 02	107.3	501.8	-	-	107.3	501.8	-	-	278.6	557.3	-	-
	KM 26 06												
KM 30	KM 30 05	156.6	858.5	43.8	326.4	156.6	858.5	43.8	326.4	462.0	924.0	248.8	497.6
	KM 30 10												
KM 33	KM 33 05	156.6	858.5	43.8	326.4	156.6	858.5	43.8	326.4	462.0	924.0	248.8	497.6
	KM 33 10												
KM 45	KM 45 10												
	KM 45 20	575.0	2678.0	120.0	1245.6	575.0	2678.0	120.0	1245.6	1334.2	2668.5	762.4	1524.8
	KM 4520C												
KM 46	KM 46 10												
	KM 46 20	575.0	2678.0	120.0	1245.6	575.0	2678.0	120.0	1245.6	1397.9	2795.8	798.8	1597.6
	KM 4620C												
KM 55	KM 55 20	858.4	4617.2	-	-	858.4	4617.2	-	-	2347.2	4694.4	-	-
	KM 65 25	1299.6	7001.3	-	-	1299.6	7001.3	-	-	3917.9	7835.8	-	-

Note\*: The static permissible moments of B and D type are base on two carnage nuts used in closed contact with each other.